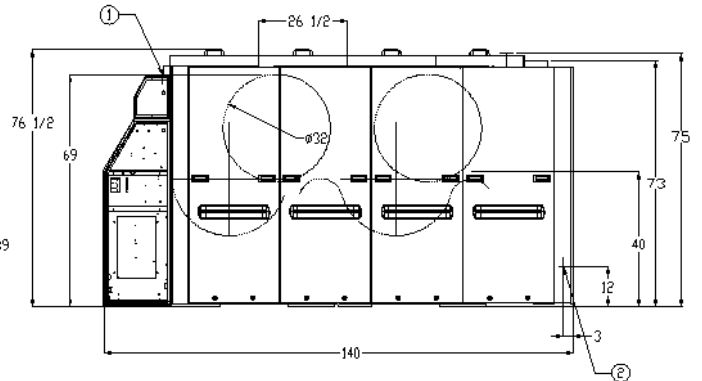
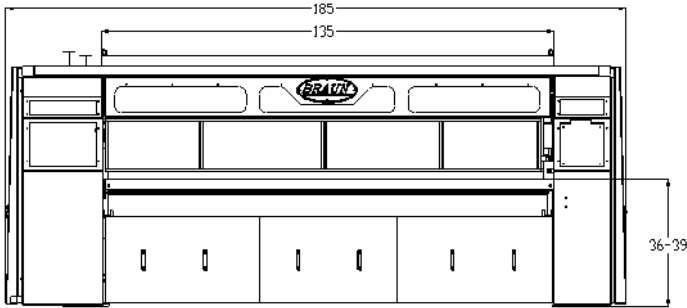
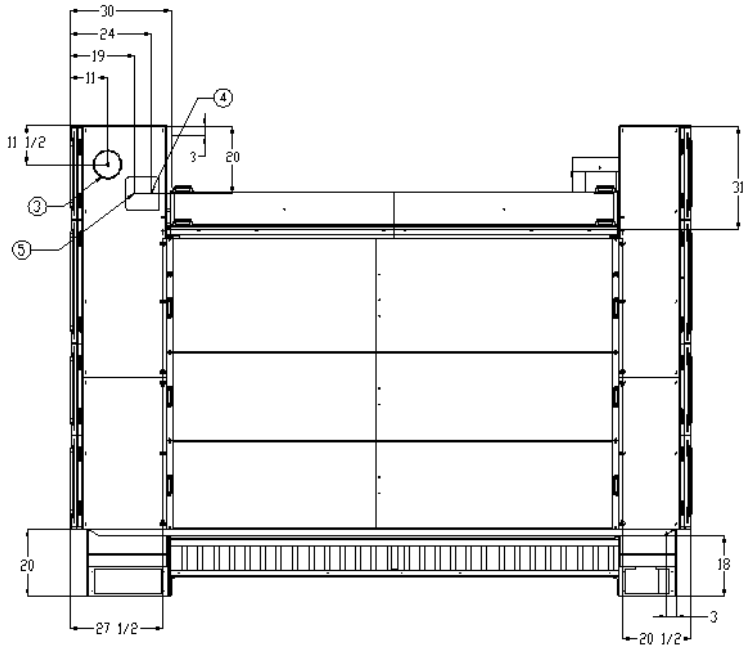




2-ROLL 32" -130" STEAM IRONER SPECIFICATIONS

2S32-130

G.A. BRAUN, INC., P.O. BOX 3029, SYRACUSE, NY 13220-3029, 315-475-3123



Specifications subject to change without notice.



2-ROLL 32" -130" STEAM IRONER SPECIFICATIONS

2S32-130

G.A. BRAUN, INC., P.O. BOX 3029, SYRACUSE, NY 13220-3029, 315-475-3123

OPENING REQUIREMENTS TO RECEIVE UNIT

70" x 76" h (1778mm x 1931mm)

OVERALL DIMENSIONS

140" x 185" x 77" h (3556mm x 4699mm x 1956mm h)

SHIPPING DIMENSIONS

169" x 68" x 74" h (4293mm x 1728mm x 1880mm)

169" x 67" x 74" h (4293mm x 1702mm x 1880mm)

122" x 53" x 73" h (3099mm x 1347mm x 1855mm)

40" x 84" x 35" h (1016mm x 2134mm x 889mm)

SHIPPING WEIGHT

15,920 lbs (7,222 Kg)

Balloon 1: Electrical Service

*See Electrical Specs below

Balloon 2: Air Specifications

Connection.....3/4"
 Pressure.....80-100 psi (5.5-7 bar)
 Consumption at Rolls Raise.....9 cfm (0.26 cu-m/min)

Balloon 3: Exhaust Specifications

Duct Diameter.....8" (205mm)
 Flow Rate.....400 cfm (11.3 cu-m/min)
 Static Pressure of Vacuum Blower.....4 in. H₂O max
 Max Length with Three 90° Elbows.....33 ft. (10m)

Balloon 4: Condensate Return

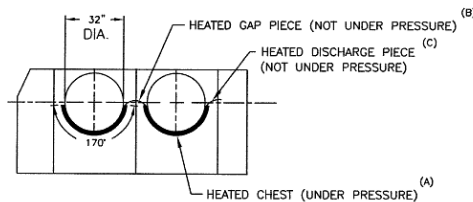
Connection.....1-1/2"

Balloon 5: Steam Specifications

Steam Connection.....2"
 BHP Maximum.....29 BHP
 BHP Normal Operation.....20 BHP
 Steam Pressure.....229 psi max (15.6 bar max)
 Heat Radiation.....34,000 btu/hr (8,574 kg-cal/hr)

*Note: For Chest Temperatures over 375F, Nomex Padding is required. All Traps provided.

BRAUN DELTA TWO ROLL FLATWORK IRONER
 STEAM HEATED MODEL-2S32



IRONER DATA

TOTAL LENGTH OF IRONING CONTACT (A+B+C) — 119in/3020mm
 TOTAL LENGTH OF IRONING CONTACT UNDER PRESSURE (A) — 95 in/2415 mm
 SPEED RANGE — 32-150 ft/min- 9.8-45.7 m/min

PRODUCTION

APPROXIMATE OUTPUT DRYWEIGHT (SHEETS) WITH 125 PSI (8.6 BARS) STEAM AT THE IRONER.
 COTTON AT 50% MOISTURE RETENTION, UP TO — 1718 lbs/hr-779 kg/hr
 50/50 BLENDS AT 35% MOISTURE RETENTION, UP TO-1840 lbs/hr-834 kg/hr
 NOTE: STEAM QUALITY AND PIPING MAY AFFECT PRODUCTION.

ELECTRICAL SPECS

SERVICE	208/3/60	240/3/60	480/3/60	600/3/60
Circuit Breaker (AMPS) ❶	150 AMP	125 AMP	100 AMP	60 AMP
Machine (FLA)	104.5 A	96 A	52 A	42.5 A
Primary Motor - 20 HP (FLA)	55A	51A	25.7A	20.5A
Exhaust Motor - (2) 2.2 HP (FLA)	14.6A	13.2A	6.6A	6A
Feeder Machine (FLA) (OPTIONAL)	18A	16.5A	10A	8A
Folder Machine (FLA) (OPTIONAL)	17A	15.5A	10A	8A

- ❶ THHN 908C copper wire at 308C (868F) ambient
 - ❷ Match smaller of wire amp or maximum allowed rating
 - ❸ Consult factory specifications for other services upon request
- Provide 5ft flexible connection

As of this writing, the minimum clearance required by U.S. National Electric Code, from electrical box to any object is:
 36" if object is an ungrounded (insulated wall)
 42" if object is a grounded wall (ie. Bare concrete, brick, etc.)
 48" if object is any live part
 Check your local electrical codes for further restrictions

Specifications subject to change without notice.